

DETA

75—700w 2 Way Dimmer Module

Cat. No. G3524

Kingsway House, Laporte Way
Luton, Beds, LU4 8RJ, UK
Tel. +44 1582 544 500
Fax: +44 1582 544 501
Technical Helpline +44 1582 544 548

GRID DIMMER/SWITCH INSTRUCTIONS

Deta dimmer switches are designed to control single or groups of electric lamps. It features soft-start and over temperature cut-off to prolong the life of both the dimmer and lamp. The maximum and minimum ratings specified on the rear of the dimmer must be observed, as well as the total wattage allowed per plate, otherwise the dimmer may be damaged, invalidating the guarantee.

Dimmer compatibility is essential prior to connecting any form of lamp load. The Dimmer is specified for the following:

Tungsten/Resistive/Incandescent/Low voltage (LV) lamps:
Dimmer will dim a maximum of 700 Watts/600VA LV

Mains operated Tungsten Halogen lamps (eg GU10/GZ10) must incorporate a fuse to protect the dimmer on lamp failure. GE Osram Philips & Sylvania fused lamps are recommended. No de-rating of the dimmer is required for these lamps as the 'Soft start' facility limits the inrush current on start up.

Please refer to separate sheet supplied for more information and advice on dimming Low Voltage lighting.

These dimmers are designed to be interchangeable with most on/off switches, fit British Standard **2 lug** wall boxes and comply with BSEN55014, EN50082-1(EMC) and EN60669-2-1(LVD). Metal wall boxes must be a minimum of 41mm deep and must be earthed.

Heat Dissipation and De-rating Information

De-rating may be required to ensure adequate dissipation of the heat generated by the dimmers behind a plate. Distribute dimmers evenly across grids and rows from bottom up.

The following total plate loads **must not** be exceeded:

Cover plate size in mm	Watts	VA (LV)
76x76 to 86x86	500	400
137x76 to 146x86	1000	700
137x137 to 146x146	1500	1000
197x137 to 206x146	2000	1350
197x197 to 219x222	2500	1800
257x197 to 279x222	3000	2000

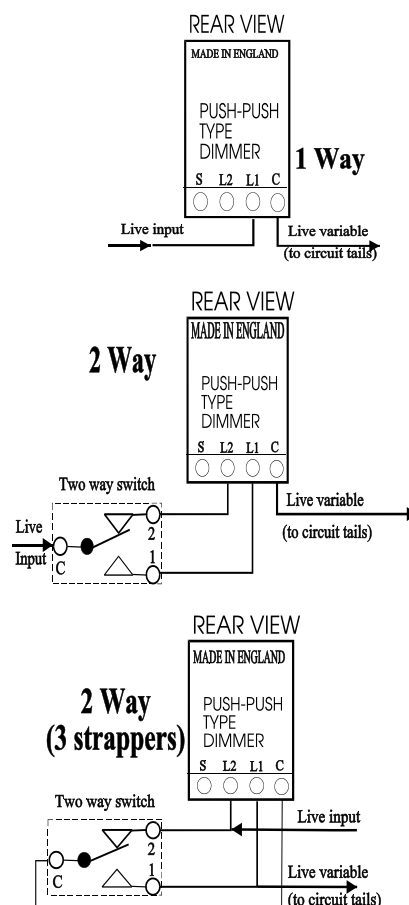
WARNING:
FIRST SWITCH OFF THE SUPPLY AT THE MAINS.

INSTALLATION INSTRUCTIONS

- Switch off at mains and remove existing switch, carefully noting which terminals the wires are connected to. Connect maximum 1.5mm² stranded or solid wires to the dimmer in accordance with the relevant diagram shown. (Note: The S terminal is not used).
- Grid Dimmers:** Fit the Deta grid shroud into the yoke, fit the dimmer from the rear and secure with the ring nut. (See detailed instructions overleaf).
- Fit the dimmer(s) into the wall box ensuring correct earthing and mechanical alignment.
Metal plates, grids and wall boxes **must** be earthed.
- Finally check suitability of lamp/load.
- Switch on the mains supply and the dimmer is now ready for use.

If a slight buzz is heard, this is quite normal and will not harm the unit. After it has been running for some time the dimmer may feel warm to the touch.

GENERAL WIRING DIAGRAMS:

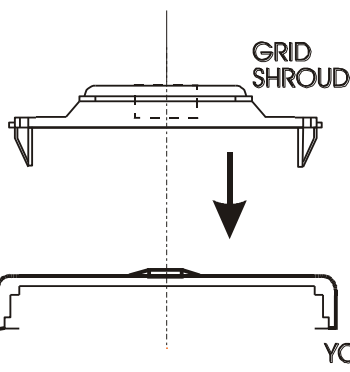


For Grid Mechanical Assembly see overleaf .

IF IN DOUBT CONSULT A QUALIFIED ELECTRICIAN

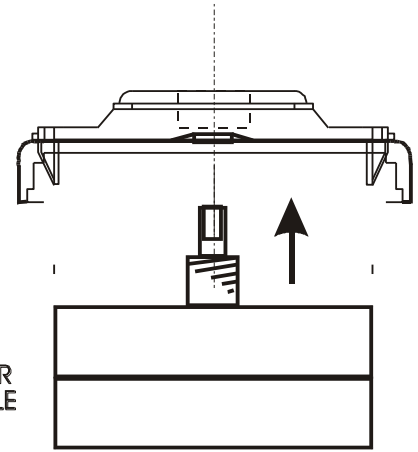
A QUALITY PRODUCT, DESIGNED AND MANUFACTURED IN THE UNITED KINGDOM

Assembly Sequence For Fitting Deta Grid Shroud



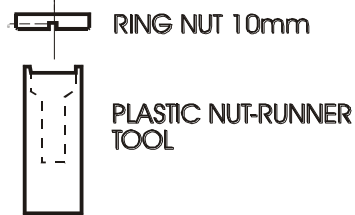
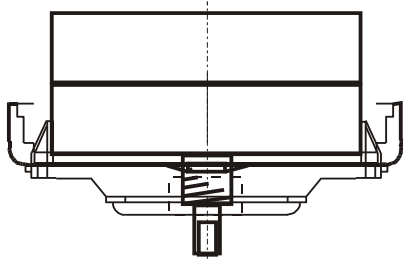
1. Remove Control Knob
2. Undo ring nut with nut runner supplied
3. Secure grid shroud onto grid yoke/frame

STAGE 1



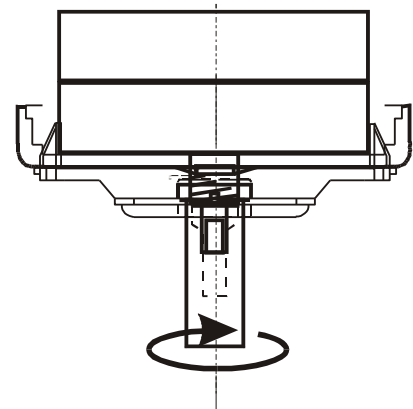
4. Place dimmer module into rear of grid yoke/frame and shroud

STAGE 2



5. Place ring nut into front of grid shroud (over spindle)

STAGE 3



6. Slowly Rotate clockwise (to tighten) without cross-threading.

N.B Prevent ring nut from falling out of counterbore by offering nut-runner gently up against ring nut. Rotate tool, and therefore ring nut, into correct position taking care not to cross thread the ring nut and bush.

STAGE 4

7. Ensure module is firmly in position & fit control knob back.

STAGE 5

Module Dimensions

Depth - 34mm
Width - 50mm
Length - 56mm