

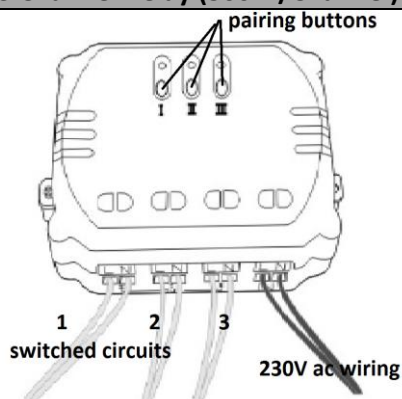
250W Inline Dimmer	9731
500W Inline Relay, One Channel	9732
500W Inline Relay, Three Channel	9733
3000W Inline Relay, One Channel	9734

Features

It is important to install these products in accordance with the fitting instructions below. Failure to do so may render your guarantee void.

All products must be installed by a competent person in accordance with the 17th Edition wiring regulations

9733 – 3 Channel Relay (500W/Channel)



- 1) Switch on the mains power.
- 2) Connect the incoming Live and Neutral wires from the 230v mains circuit to the right-hand live and neutral terminals as shown in the diagram (marked L & N).
- 3) For each of the three separate circuits, connect the switched live and outgoing neutral wire to the corresponding terminals as shown in the diagram.

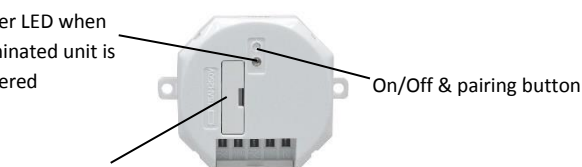
4) **IMPORTANT:** Remember that the maximum loading for the Relay is 500W IN TOTAL (resistive load). Exceeding this limit could cause damage to the device.

IMPORTANT: The 3-Way Control relay is not designed to be left exposed once it is installed, as live mains wiring is connected to the terminals. Ensure that the device is mounted securely in a suitable housing.

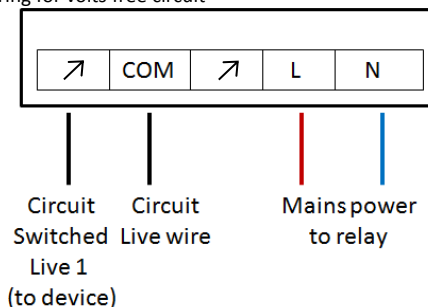
Output: max. 3000 watts for resistive load
 Operating distance: 30 meter closed field
 Standby power consumption: ≤ 1W

9732 – Inline Relay (500W)

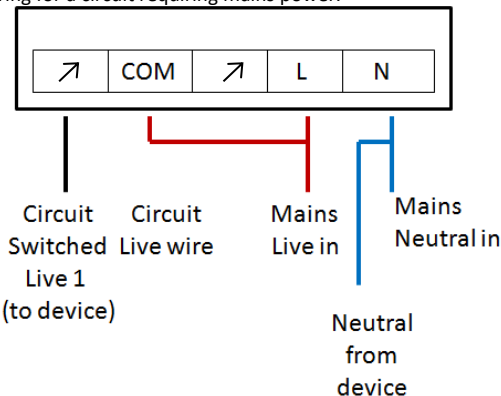
Power LED when illuminated unit is powered



1. Wiring for volts free circuit



2. Wiring for a circuit requiring mains power.



Output rating: 500W Max.
 Dimensions: Width 68mm, Height 52mm, Depth 27mm
 Standby power consumption: ≤ 1W

Setup

IMPORTANT: Make sure that the relay is accessible once installed in order to operate the manual button for linking.

Linking a channel with a Connect transmitter:

- 1) Press and hold one of the manual buttons (1 to 3) on the Relay until the corresponding LED starts to flash.
 - 2) Press the 'on' or 'up' button on the transmitter. The LED will flash quickly for 2 seconds to indicate a successful pairing of that channel.
- 1) **NOTE:** Each channel can be paired with up to 6 separate transmitters at any one time.

Unlinking with a Connect transmitter:

- 1) Press and hold the manual button on the Inline Relay until the LED starts to flash.
- 2) Press the 'off' or 'down' button on the transmitter (the LED will flash quickly for 2 seconds to indicate a successful unlinking of that device).

Operation

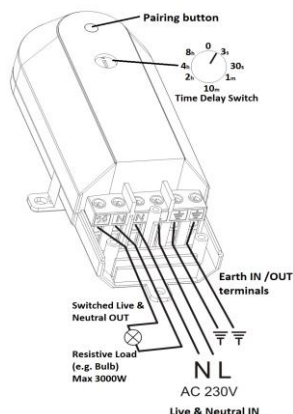
- 1) Press the 'on' button on the transmitter to turn the Linked channel on.
- 2) Press the 'off' button on the transmitter to turn the linked channel off.
- 3) Press the Manual buttons to toggle each Relay channel on/off Manually.

Complete Memory Reset (each channel)

- 1) Press and hold the manual button for the channel that needs to be reset. Release the button once the LED begins to flash. Press and hold a second time until the LED flashes more quickly.
- 2) Press (don't hold) the manual button a third time. The LED will flash quickly for 2 seconds to indicate that the memory has been cleared.

250W Inline Dimmer	9731
500W Inline Relay, One Channel	9732
500W Inline Relay, Three Channel	9733
3000W Inline Relay, One Channel	9734

9734 – Inline Relay (3000W)



The Inline Relay is designed to switch mains rated resistive loads and is rated at up to 3000w. It is mains powered and includes a built-in time delay switch. The relay can be operated using any Connect Remote or other transmitter.

Setting the timer

The Inline Relay has an automatic time delay function built-in. This offers 8 separate time delays ranging from 3 seconds to 8 hours. After being turned on, once the allotted time has elapsed, the relay will automatically turn off.

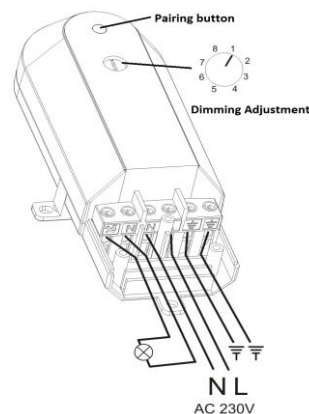
Setting:

- '0' No timer set (default standard on/off operation).
- '3s' Automatically turn off after 3 seconds.
- '30s' Automatically turn off after 30 seconds.
- '1m' Automatically turn off after 1 minute.
- '10m' Automatically turn off after 10 minute.
- '2h' Automatically turn off after 2 hours.
- '4h' Automatically turn off after 4 hours.
- '8h' Automatically turn on/off after 8 hours.

Additional independent time delays can also be set using the 'timer' function on the Deta Connect Smartphone app (requires the Connect WiFi-Link).

Output: 3000W for resistive load max.
 Operating distance: 30 meter closed field.
 Standby power consumption: ≤ 1W

9731 – Inline Dimmer (250W)



The Inline Dimmer is designed to switch and dim lighting circuits rated at up to 250w. It is mains powered and includes a rotary switch designed to tailor the dim range. This maximises compatibility with dimmable LED bulbs.

Setting the Dim Range (important if using LEDs!)

The Inline Dimmer has a built-in 8 step rotary switch designed to adjust the lower end of the dimming range of connected lamps. The purpose of this switch is to increase compatibility with all types of dimmable LED bulbs: alternative brands can behave differently and can require tailored dim settings to ensure that there is no flicker at the top or bottom of the dimming range. Any LED flickering can usually be eliminated by adjusting the dim range using the rotary switch. To adjust to the minimum dim level, simply turn the rotary dialler to point toward the different numbered settings 1 to 8.

Each time the switch is repositioned (assuming that the Dimmer is powered on), the connected LED lamps will rise to 100% brightness and then dim down to the new minimum brightness.

Recommended Adjustment Process:

- 1) Start from setting 8 (smallest dim range) adjust the switch from 8 to 7.
- 2) Power on LEDs by pressing the manual button and test the dimming range with a LightwaveRF remote.
- 3) If the LEDs light up normally, without flickering at any stage, then the dimming range can be increased by moving the switch to setting 6 and so on.
- 4) Repeat this process until setting 1 is reached. If any flickering is observed at any point, stop and return to the previous stable setting. This the optimum range for that particular bulb.

NOTE: Be aware that the number of LED bulbs as well as the type can affect performance

Output: 20-250W incandescent max.
 3-60W LED
 20-250W electronic transformer
 40-250W inductive transformer
 Operating distance: 30 meter closed field.
 Standby power consumption: ≤ 1W

Signal Range

Reliable range of operation is around 15 metres indoors and up to 100m outdoors using the Connect Link/WiFi-Link. This figure may vary depending upon the environment; very thick walls, bodies of water or large metal objects may interfere with radio range.

If the distance between the transmitter and receiver is too great to achieve reliable operation, the Connect **Signal Booster** may be used in conjunction with this product to increase the range.

Voltage	220 – 240V @ 50Hz	Radio Frequency	433.92MHz
Dimensions – 9732	W.68 H.52 D.27mm		